

smar

MANIFOLD VALVES

ROLLED LINE



MANIFOLD VALVES

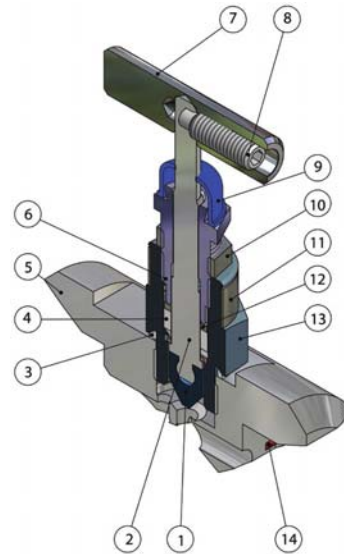
Smar rolled valves line is made up of Block Valve, 2, 3 and 5-way Manifold Valves. They are typically produced in rolled 316 SST but optionally also in Hastelloy*, Treated Carbon Steel*, Monel* and Super Duplex*. Their design adopts the needle type valve concept for high pressures with a non-rotating shutter, which provides high air-tightness to the process.

This shutter avoids chafing with the valve block and leaves a smooth surface between them. Thus, the leak found in valves with rotative shutter is eliminated.

The product have applications with vacuum, special cleaning for use with oxygen* and they are according to NACE MR-0175* standard for use with H₂S.

Smar has a spare part and accessories line for the manifolds valves can be provided separately.

* Item by inquire



01-Non-rotating tip	08-Headless Allen®
02-Spindle	09-Dust cap
03-Bonnet / Castle sealing	10-Lock nut
04-Spindle's sealing	11-Label describing functionality
05-Housing	12-Protection washer
06-Pusher	13-Bonnet
07-T-bar	14-Process thread bonnet

COD.	Model
VBL	Rolled Block Valve
VM2L	2-Way Rolled Manifold Valve
COD.	Material
S	316 SST
C	Treated Carbon Steel (*)
H	Hastelloy C276 (*)
M	Monel 400 (*)
D	Super Duplex (*)
COD.	Instrument Connection / Process Connection
0	1/2" NPT (Female) / 1/2" NPT (Female)
1	1/2" BSP (Female) / 1/2" BSP (Female)
2	1/2" NPT (Male) / 1/2" NPT (Female)
3	1/2" BSP (Male) / 1/2" BSP (Female)
4	Flange / 1/2" NPT (Female)
5	Flange / 1/2" BSP (Female)
COD.	Gasket Material
T	Teflon® - PTFE (-50 °C to +200 °C)
COD.	Pressure Class
S	6,000 psi (414 bar)
COD.	Optional
DS	Drain/Vent Value (1/4" NPT)
COD.	Special Cleaning
C1	Special cleaning for oxygen use
COD.	Sour Fluids
NA	Wet and Non-Wet parts in Compliance with Hydrogen Sulfide (H ₂ S) Exposure Requirements (*) (**)
NB	Wet Parts in Compliance with Hydrogen Sulfide (H ₂ S) Exposure requirements (*) (**)

VBL	-	S	0	-	T	S	/	/	/
-----	---	---	---	---	---	---	---	---	---

* Item by inquire.

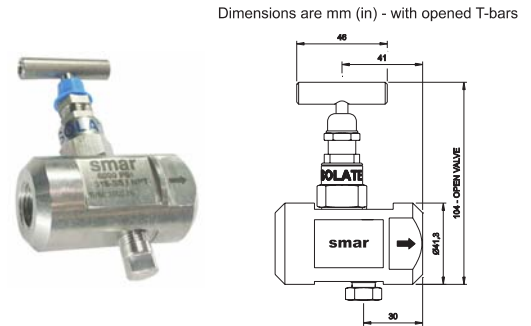
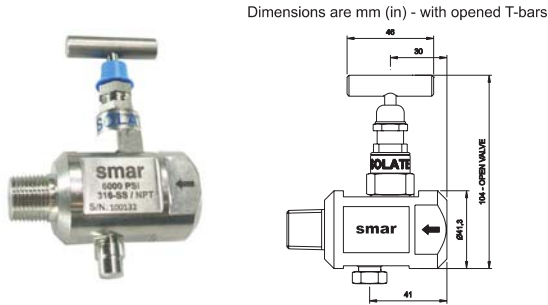
** Chemical specifications, maximum hardness and thermic treatment in accordance with NACE MR-01-75 standard.

COD.	Model
VM3L	3-Way Rolled Manifold Valve Type Y
VM5L	5-Way Rolled Manifold Valve Type Y
COD.	Material
S	316 SST
C	Treated Carbon Steel (*)
H	Hastelloy C276 (*)
M	Monel 400 (*)
D	Super Duplex (*)
COD.	Instrument Connection / Process Connection
0	Flange / 1/2" NPT (Female)
1	Flange / 1/2" BSP (Female)
2	Flange / Flange
COD.	Gasket Material
T	Teflon® - PTFE (-50 °C to +200 °C)
COD.	Pressure Class
S	6,000 psi (414 bar)
COD.	Distance Between Centers
0	54 mm
4	56 mm
5	58.3 mm
COD.	Optional
DS	Drain/Vent Value (1/4" NPT) - Valid for 5-Ways Model
COD.	Special Cleaning
C1	Special cleaning for oxygen use
COD.	Sour Fluids
NA	Wet and Non-Wet parts in Compliance with Hydrogen Sulfide (H ₂ S) Exposure Requirements (*) (**)
NB	Wet Parts in Compliance with Hydrogen Sulfide (H ₂ S) Exposure requirements (*) (**)

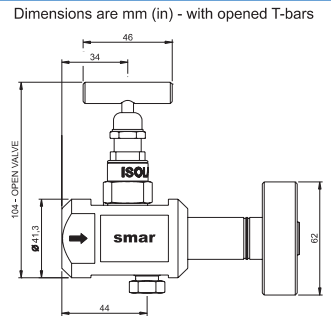
VM3L - S 0 - T S 0 / / / /

* Item by inquire.
 ** Chemical specifications, maximum hardness and thermic treatment in accordance with NACE MR-01-75 standard.

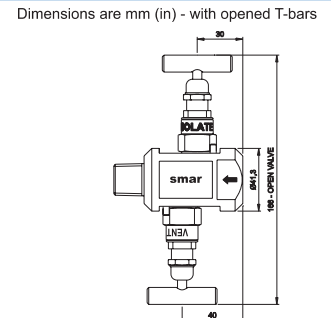
Instrument Connection - Male Thread | VBL | Instrument Connection - Female Thread



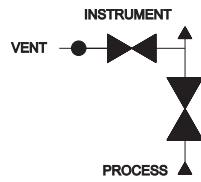
VBL - Instrument Connection - Flange



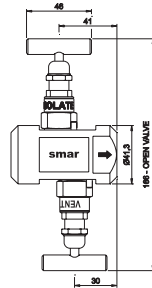
VM2L - Instrument Connection - Male Thread



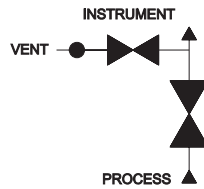
VM2L - Instrument Connection - Female Thread



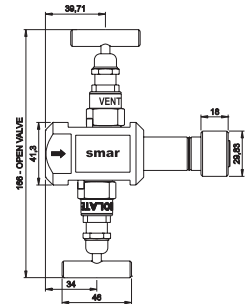
Dimensions are mm (in) - with opened T-bars



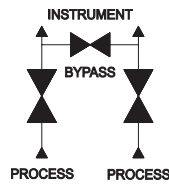
VM2L - Instrument Connection - Flange



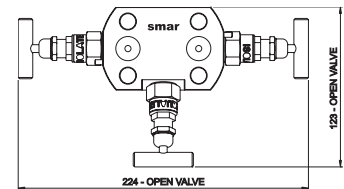
Dimensions are mm (in) - with opened T-bars



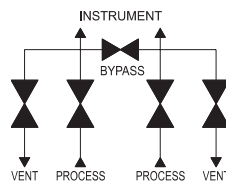
VM3L



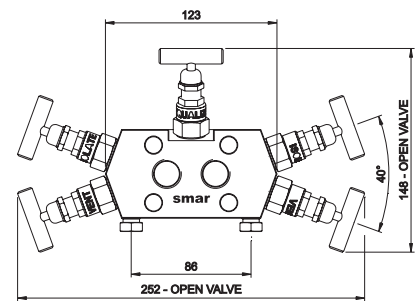
Dimensions are mm (in) - with opened T-bars



VM5L



Dimensions are mm (in) - with opened T-bars



Product with contract for Private Label.
 Specifications and information are subject to change without notice.
 Up-to-date address information is available on our website.

web: www.smar.com/contactus.asp

